

CID compact iodide daylight lamp
 200W metal halide discharge lamp
 Specification Ref: 99-0211

Identification**Applications**

For use in film and television lighting. For colour film stock balanced for light of 5500K and for all colour or monochrome television productions.

Particularly suitable for portable reporter lighting. Battery or mains operating.

Description

Thorn Lighting scientists have developed a new single-ended discharge lamp to meet demand from the TV and film industry for a portable, 200W hot restrike lamp of 'daylight' colour.

The Compact Iodide Daylight (CID) lamp is one of the most important developments in the lighting industry for many years, offering for the first time an extremely robust single-ended lamp which gives correct colour rendering on film stock balanced for 5500°K.

The CID lamp is able to meet the very stringent demands of film lighting cameramen and TV lighting directors because of these combined advantages:—

1. Correlated colour temperature of 5,500°K \pm 400.
2. Ra. colour rendering index of 85.
3. DIN standard 5035 classification class 1.
4. Unique single-ended construction.
5. Maintenance of colour throughout life.
6. Reduced flicker.

Performance**Electrical characteristics**

Supply volts	220/240
Arc watts	200
Arc volts	70
Arc current (amps)	3.3
Starting voltage (Pulse)	10kV min.

Control gear

Series choke	G.53321.T
Ignitor	X.D. 1332.1
Circuit	See Over

Luminous characteristics

Initial efficacy	70 L/W
Colour	Daylight

Run up time 1 minute

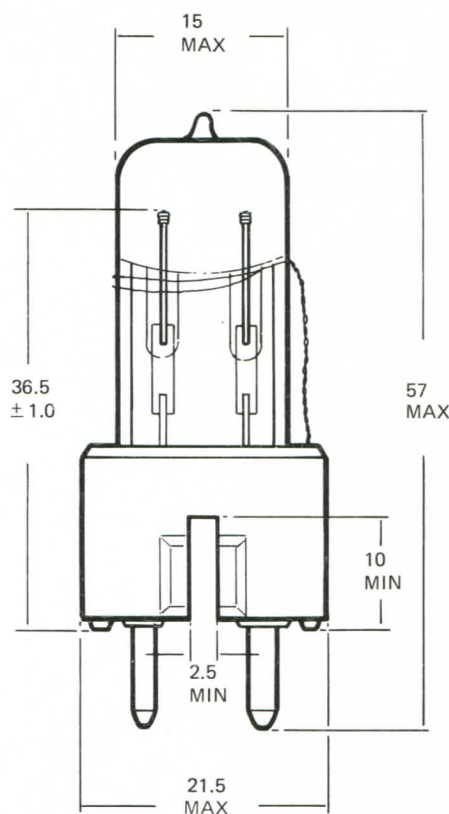
Restart time Instantaneous

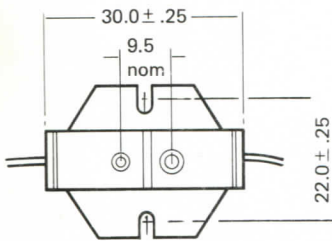
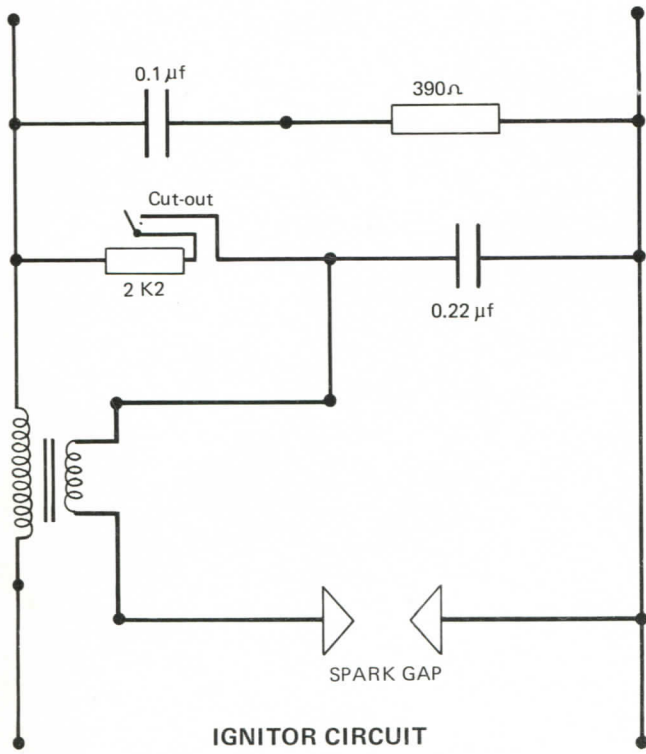
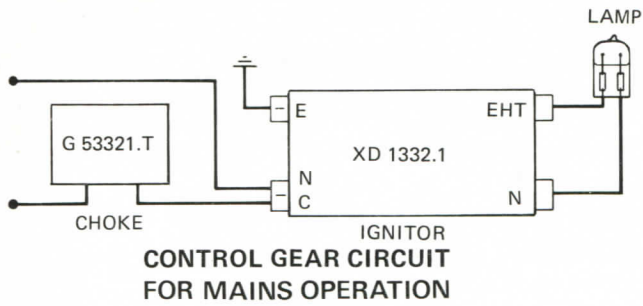
Life

Nominal objective 100 hours

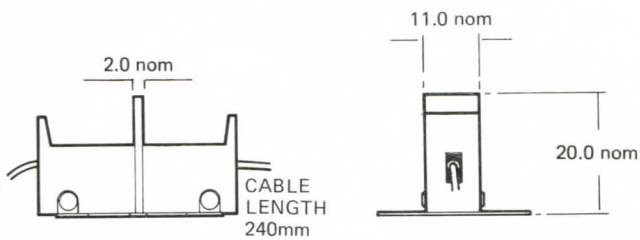
Dimensions (mm)

Arc length	5
Dia. (max.)	15
L.C.L.	36.5 \pm 1
Overall length (max.)	57
Cap	GY9.5 with centre slot (See drawing)





LAMPHOLDER (Provisional)



WARNING

The unit generates high voltage pulses for lamp starting. Appropriate safety precautions should be taken when servicing or operating the unit.

All lighting units should be provided with a front safety glass which will give protection from harmful ultra-violet radiation and non-quiescent lamp failure.

Note: The lamp may also be operated from suitable electronic ballasts to give flicker free light output. These ballasts can be designed for 120/240 volt, 50/60 Hz mains or for low voltage D.C. supplies.

Further Information

Thorn Lighting reserve the right to alter the specification without prior notice or public announcement.